



Electric heater G+

PRODUCT CARD

Type:	G+D - electric heater with spiral cable "D" shape
Power supply:	~230 VAC / 50 Hz
Temperature control:	0-65 °C
Insulation class:	Class I
Power rated:	300, 600, 900, 1200 W
Housing protection degree:	IP - 54
Connection:	External thread 1/2"
Electric connection:	Spiral cable with "UNISCHUKO" plug
Material characteristics:	
Protective tube:	Made from copper
Heating element and orifice	
Insulation:	MgO (magnesium oxide)
Temperature regulator:	Thermostat with capillary tube



KEY FEATURES

- WIFI CONTROL + APP
- SMOOTH TEMPERATURE ADJUSTMENT (10°C - 65°C)
- AMBIENT TEMPERATURE CONTROL
- PROGRAMMING DAILY WEEKLY
- FUNKCJA TURBO
 - Full heating for a set time of 1, 2 or 3 hours.
- ANTI-FREEZE FUNCTION
- ENERGY EFFICIENCY
- REMOTE/TEMPERATURE SENSOR
- DISCONNECTABLE HEATING ELEMENT
- CONSTRUCTION
 - LED display, housing covers adapted to the shape of the radiator.

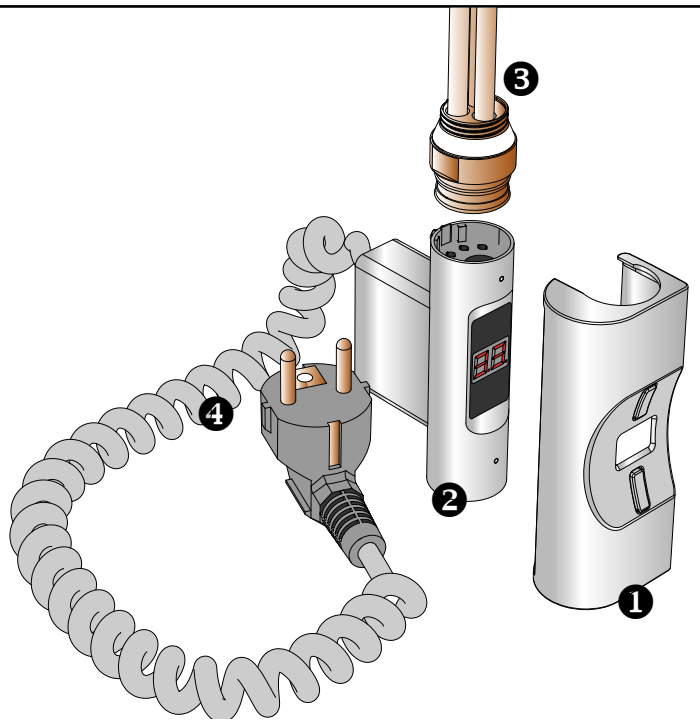
Example radiator DRN with heater

Heater selection table

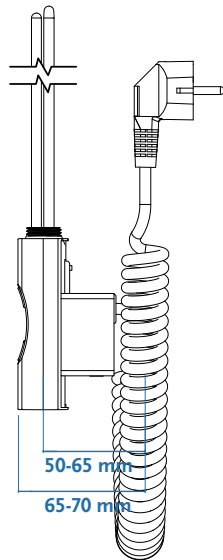
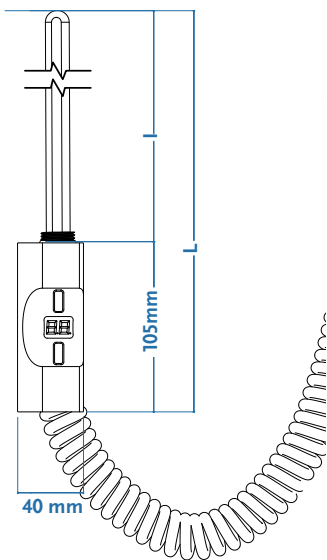
ELECTRIC HEATER POWER	RADIATOR POWER (75/65/20°C)
300	<600
600	600 - 900
900	900 - 1200
1200	1200 - 1500

G+D	ELECTRIC HEATER POWER	l [mm]	L [mm]	Color	INDEX
G+ 300DB	300	340	445	White	xxxxxxD0301
G+ 600DB	600	390	495	White	xxxxxxD0601
G+ 900DB	900	440	545	White	xxxxxxD0901
G+ 1200DB	1200	470	575	White	xxxxxxD1201
G+ 300DC	300	340	445	Chrome	xxxxxxD0315
G+ 600DC	600	390	495	Chrome	xxxxxxD0615
G+ 900DC	900	440	545	Chrome	xxxxxxD0915
G+ 1200DC	1200	470	575	Chrome	xxxxxxD1215

G+D - diagram



- ❶ - Controller overlay
D - profile "D"
- ❷ - Heater controller
- ❸ - Heating element
- ❹ - Spiral cable
- ❺ - remote control / temperature sensor



WIFI + control APP



G+K - ELECTRIC HEATER

Type:	G+K - electric heater with spiral cable square shape
Power supply:	~230 VAC / 50 Hz
Temperature control:	0-65 °C
Insulation class:	Class I
Power rated:	300, 600, 900, 1200 W
Housing protection degree:	IP - 54
Connection:	External thread 1/2"
Electric connection:	Spiral cable with "UNISCHUKO" plug
Material characteristics:	
Protective tube:	Made from copper
Heating element and orifice	
Insulation:	MgO (magnesium oxide)
Temperature regulator:	Thermostat with capillary tube



KEY FEATURES

- WIFI CONTROL + APP
- SMOOTH TEMPERATURE ADJUSTMENT (10°C - 65°C)
- AMBIENT TEMPERATURE CONTROL
- PROGRAMMING DAILY WEEKLY
- FUNKCJA TURBO
 - Full heating for a set time of 1, 2 or 3 hours.
- ANTI-FREEZE FUNCTION
- ENERGY EFFICIENCY
- REMOTE/TEMPERATURE SENSOR
- DISCONNECTABLE HEATING ELEMENT
- CONSTRUCTION
 - LED display, housing covers adapted to the shape of the radiator.

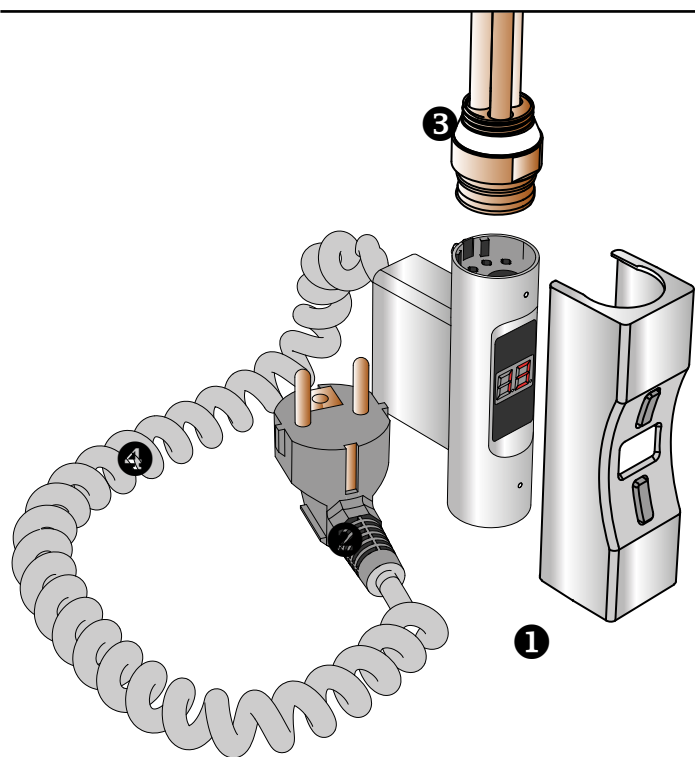
Heater selection table

ELECTRIC HEATER POWER	RADIATOR POWER (75/65/20°C)
300	<600
600	600 - 900
900	900 - 1200
1200	1200 - 1500

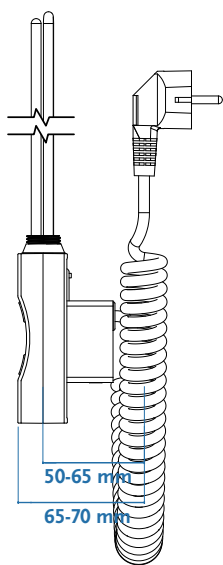
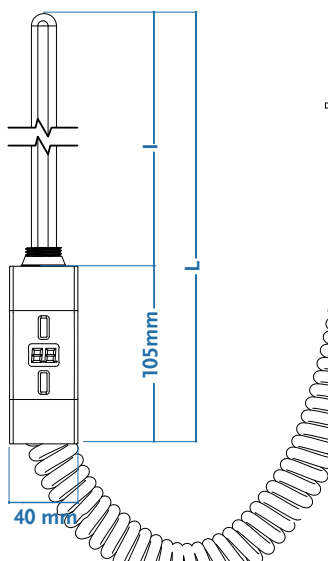
Example radiator AAM with heater

G+	ELECTRIC HEATER POWER	I [mm]	L [mm]	Color	INDEX
G+300KB	300	340	445	White	xxxxxxxK0301
G+600KB	600	390	495	White	xxxxxxxK0601
G+900KB	900	440	545	White	xxxxxxxK0901
G+1200KB	1200	470	575	White	xxxxxxxK1201
G+300KC	300	340	445	Chrome	xxxxxxxK0315
G+600KC	600	390	495	Chrome	xxxxxxxK0615
G+900KC	900	440	545	Chrome	xxxxxxxK0915
G+1200KC	1200	470	575	Chrome	xxxxxxxK1215

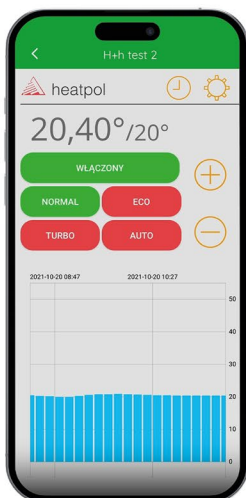
G+K - diagram



- ❶ - Controller overlay
K - 30 x 30
- ❷ - Heater controller
- ❸ - Heating element
- ❹ - Spiral cable
- ❺ - Remote control / temperature sensor



WIFI + control APP



G+P - ELECTRIC HEATER

Type:	G+P - electric heater with spiral cable rectangle shape
Power supply:	~230 VAC / 50 Hz
Temperature control:	0-65 °C
Insulation class:	Class I
Power rated:	300, 600, 900, 1200 W
Housing protection degree:	IP - 54
Connection:	External thread 1/2"
Electric connection:	Spiral cable with "UNISCHUKO" plug
Material characteristics:	
Protective tube:	Made from copper
Heating element and orifice	
Insulation:	MgO (magnesium oxide)
Temperature regulator:	Thermostat with capillary tube

KEY FEATURES

- WIFI CONTROL + APP
- SMOOTH TEMPERATURE ADJUSTMENT (10°C - 65°C)
- AMBIENT TEMPERATURE CONTROL
- PROGRAMMING DAILY WEEKLY
- FUNKCJA TURBO
 - Full heating for a set time of 1, 2 or 3 hours.
- ANTI-FREEZE FUNCTION
- ENERGY EFFICIENCY
- REMOTE/TEMPERATURE SENSOR
- DISCONNECTABLE HEATING ELEMENT
- CONSTRUCTION
 - LED display, housing covers adapted to the shape of the radiator.

Heater selection table

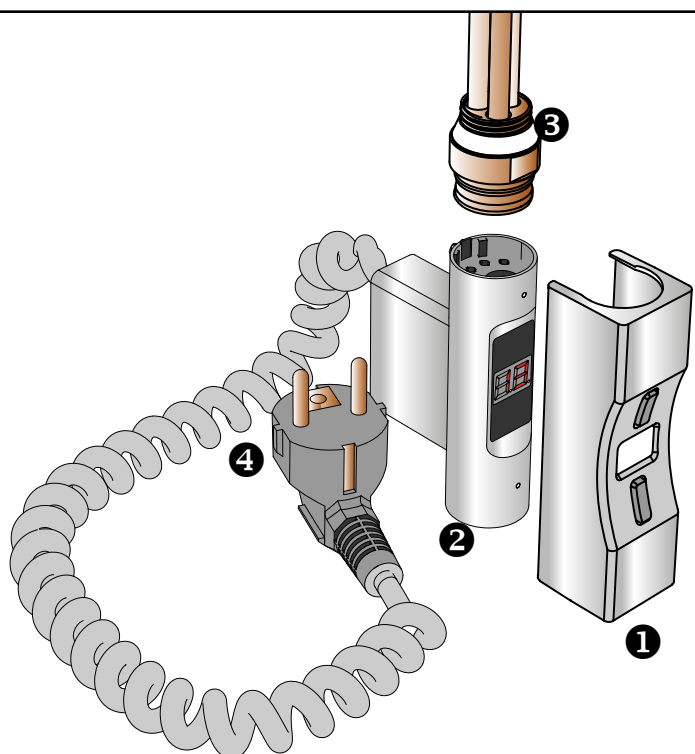
ELECTRIC HEATER POWER	RADIATOR POWER (75/65/20°C)
300	<600
600	600 - 900
900	900 - 1200
1200	1200 - 1500

G+	ELECTRIC HEATER POWER	I [mm]	L [mm]	Color	INDEX
G+300PB	300	340	445	White	xxxxxxxP0301
G+600PB	600	390	495	White	xxxxxxxP0601
G+900PB	900	440	545	White	xxxxxxxP0901
G+1200PB	1200	470	575	White	xxxxxxxP1201
G+300PC	300	340	445	Chrome	xxxxxxxP0315
G+600PC	600	390	495	Chrome	xxxxxxxP0615
G+900PC	900	440	545	Chrome	xxxxxxxP0915
G+ 1200PC	1200	470	575	Chrome	xxxxxxxP1215

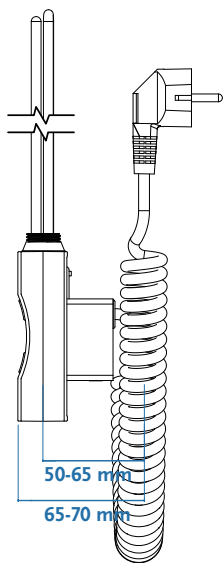
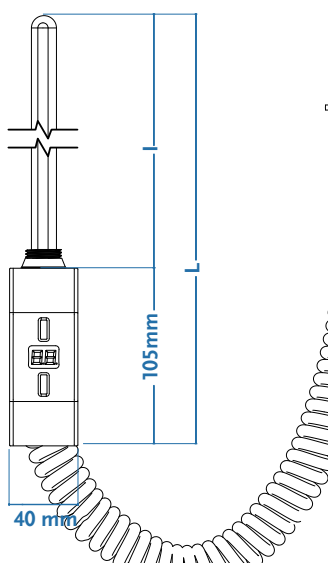


Example radiator ACR with heater

G+P - diagram



- ❶ - Controller overlay
P - 40 x 30
- ❷ - Heater controller
- ❸ - Heating element
- ❹ - Spiral cable
- ❺ - Remote control / temperature sensor



WIFI + control APP

